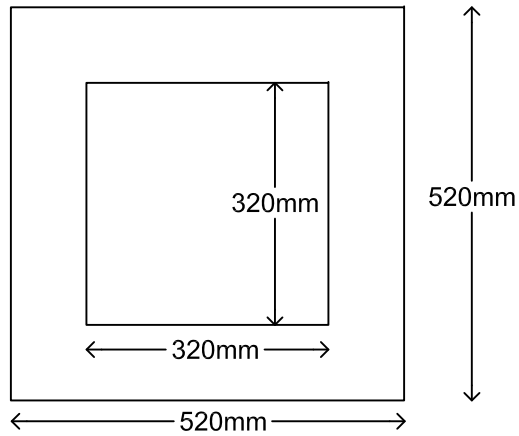
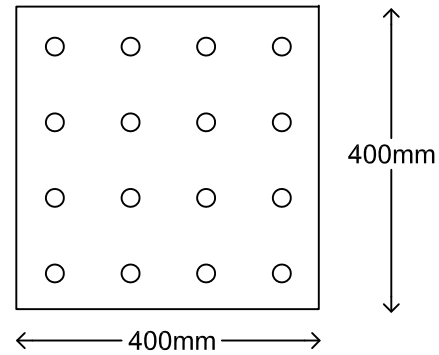


Tree pit aeration well specification

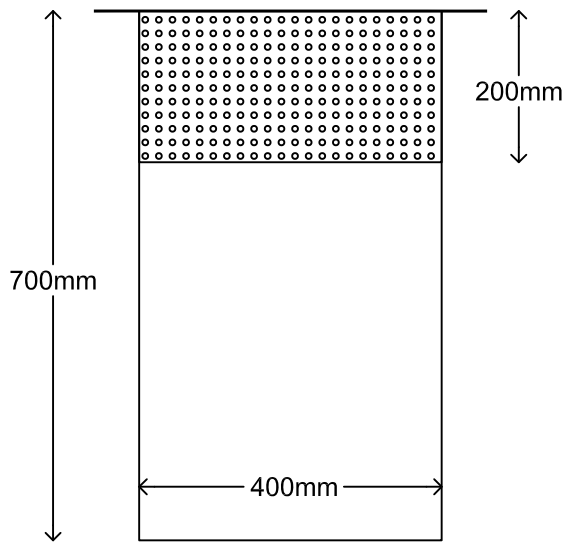
Top



Bottom



The entire unit is made of 2mm galvanised steel (Zintec).

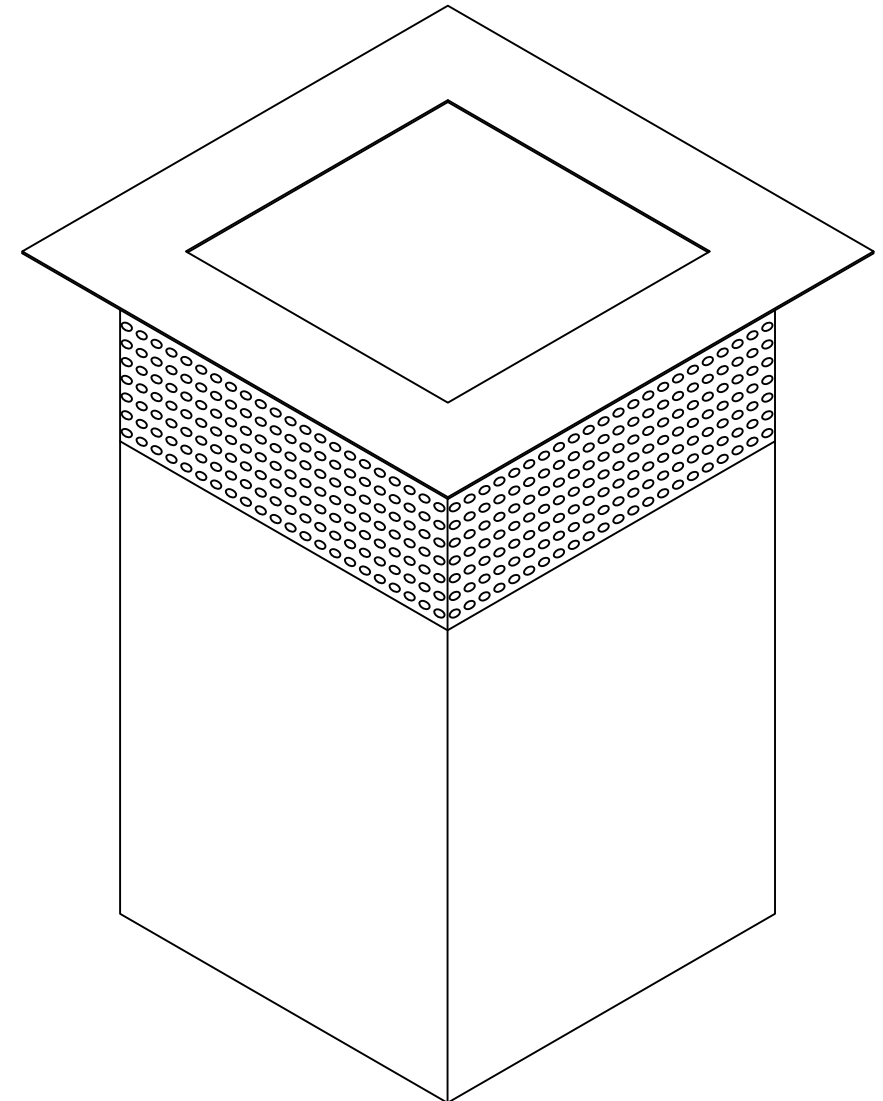


4 x side panels

1:10

The aeration well is designed to be topped with a standard gully grate approximately 300mm x 300mm.

Gully grates are not included with the aeration well but they will be available from a local builder's merchant.



1:8